

RO*CM 75-2



Cross Member

Flexibility and Safety



Protected by
registered Community Design
001219067-0001

www.jost-world.com

JOST

RO★CM 75 – Cross Member

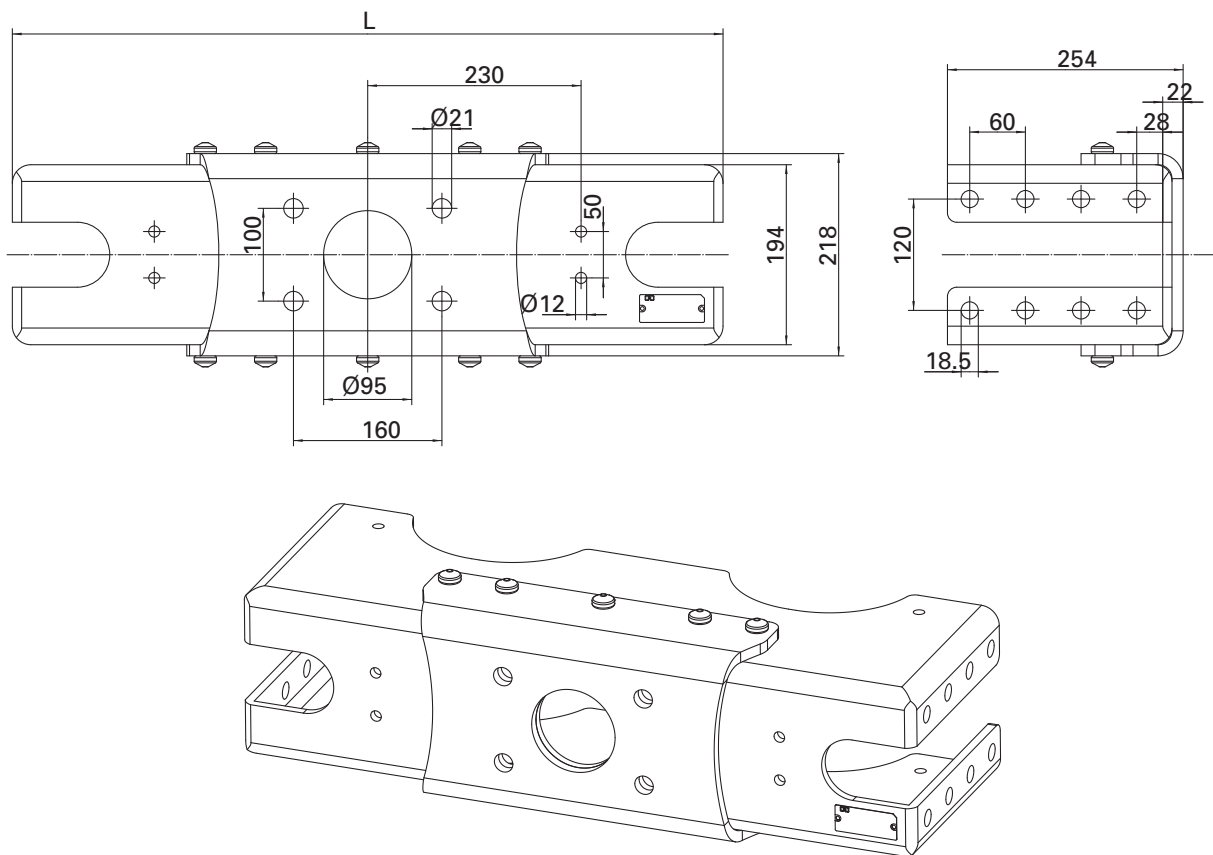
Technical specifications

Cross member, 94/20/EC




55R – 01

Advantages

- Low weight
- All conventional vehicle widths possible
- Corrosion resistant through KTL – 480 h salt spray test!
- Stable and robust
- EC-authorized

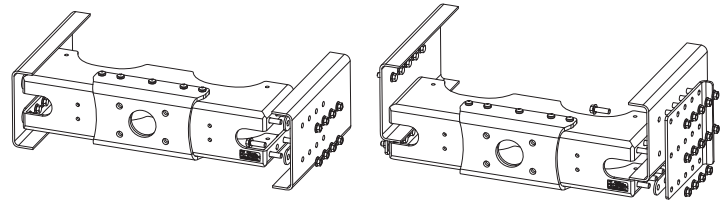
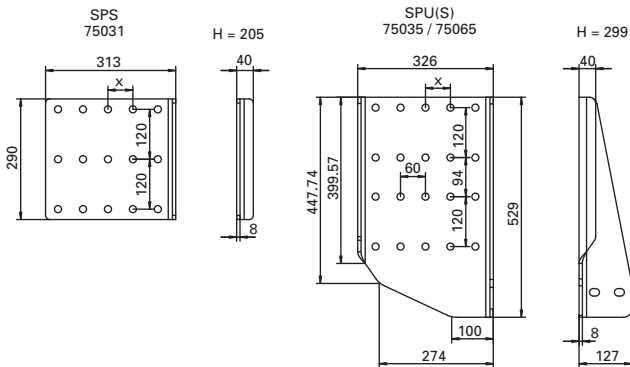


Cross member RO★CM 75

Order No.	Order No. Mounting kit	Length L (mm)					 (kg)	e1/E1
			D (kN)	Dc (kN)	S (kg)	V (kN)		
RO CM75N728A02	ROE 71579	728	200	130	1000	75	46,4	00-1615
RO CM75N742A02	ROE 71579	742	200				51,7	00-1615
RO CM75N752A02	ROE 71579	752	200				48,0	00-1615
RO CM75N756A02	ROE 71579	756	200	130	2000	63	48,1	00-1615
RO CM75N762A02	ROE 71579	762	200				48,4	00-1615
RO CM75N766A02	ROE 71579	766	200				48,5	00-1615
RO CM75N770A02	ROE 71579	770	200	144	1000	53	48,7	00-1615
RO CM75N784A02	ROE 71579	784	200				49,2	00-1615
RO CM75N834A02	ROE 71579	834	200				51,1	00-1615
RO CM75N850A02	ROE 71579	850	200				51,7	00-1615

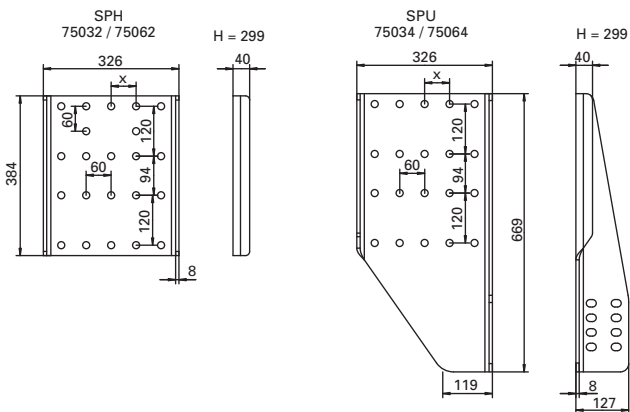
Side plates for cross member

Technical specifications Side plates RO*CM 75



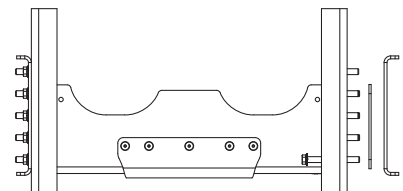
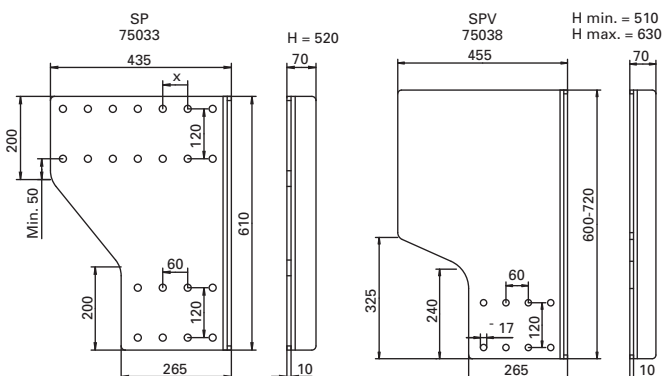
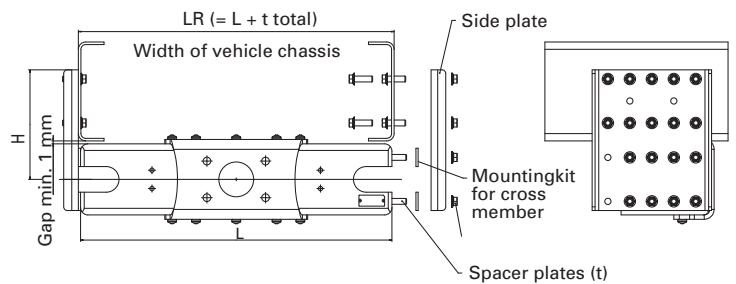
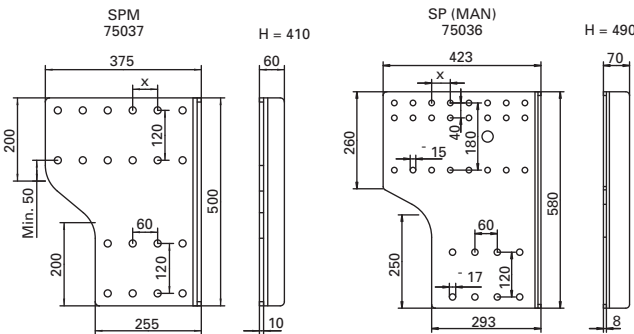
Installation half underslung
Assembly using SPS side
plates

Installation completely
underslung
Assembly using SPH; SPU;
SPU(S); SPM; SPL; SPV;
SP(MAN)



Side plates

Order No.	Order No. Mounting kit	Description	H (mm)	Weight Pair (kg)	x (mm)
ROE 75031	ROE 71580	SPS	205	12	60
ROE 75032	ROE 71620	SPH	299	17,6	60
ROE 75062	ROE 71621	SPH	299	17,6	50
ROE 75033	ROE 71622	SPL	520	37,8	60
ROE 75034	ROE 71620	SPU	299	30,6	60
ROE 75064	ROE 71621	SPU	299	30,6	50
ROE 75035	ROE 71620	SPU(S)	299	25,6	60
ROE 75065	ROE 71621	SPU(S)	299	25,6	50
ROE 75036	-	SP(MAN)	490	29,5	50
ROE 75037	ROE 71621	SPM	410	27,6	60
ROE 75038	ROE 71622	SPV	510 – 630	ca. 49	40 – 60



Spacer (max. 2 spacer/side)

Order No.	Thickness (mm)
ROE 75051	1
ROE 75052	2
ROE 75053	3
ROE 75054	4
ROE 75056	6
ROE 75057	8
ROE 75058	10

ROCKINGER Upgrade kits

Today's design of articulated trains can lead to trailer couplings that are difficult or impossible to achieve. Upgrade kits from ROCKINGER provide for more safety and comfort.



1. Mechanical remote operation (40, 50 mm)

For starters, the mechanical remote control enables operation even with trailer couplings that are difficult to access.

Order No.: ROE 70962



2. Mechanical remote operation power assisted (40, 50 mm)

The power assisted variant facilitates remote controlled opening, for example on a twisted articulated train.

Order No.: ROE 71469FA



3. Pneumatic remote operation

The operation of the trailer coupling becomes even easier with pneumatic remote operation.

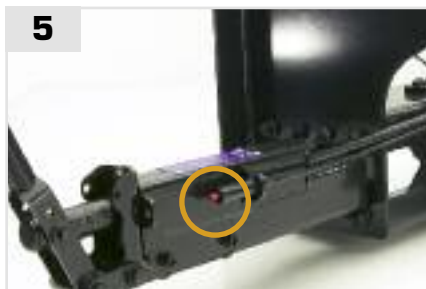
Order No.: ROE 71167 for R057
ROE 71270 for R0500



4. Electropneumatic remote operation (40, 50 mm)

This variant facilitates not only coupling and decoupling – it also spares the walk: operation takes place from inside the cabin.

Order No.: ROE 70844C



5. Mechanical remote display

Improved safety through monitoring of the locking position of the coupling and displaying the status on the mechanical remote control.

Order No.: ROE 71410 for R0400 xxx C, R0500
ROE 71575 for R0400 xxx O, R040 E/CH



6. In-cab status indicator

Additional safety is offered by the in-cab status indicator which inspects the locking position of the coupling and displays this in the cabin.

Order No.: ROE 71587 – 2 sensorer
ROE 70936 – 1 sensor



7. Drawbar turn angle warning system (40, 50 mm)

The drawbar turn angle warning system protects against preventable damage to the vehicle or to the drawbar.

Order No.: ROE 71588 – 2 sensorer
ROE 70935 – 1 sensor

More information regarding our range of products can be found at www.jost-world.com

JOST

ROCKINGER

REGENSBURGER ZUGGABEL

TRIDEC